



Universidad
Carlos III de Madrid
www.uc3m.es

Session 23

Multistage Amplifiers

Exercises

Electronic Components and Circuits
Pablo Acedo

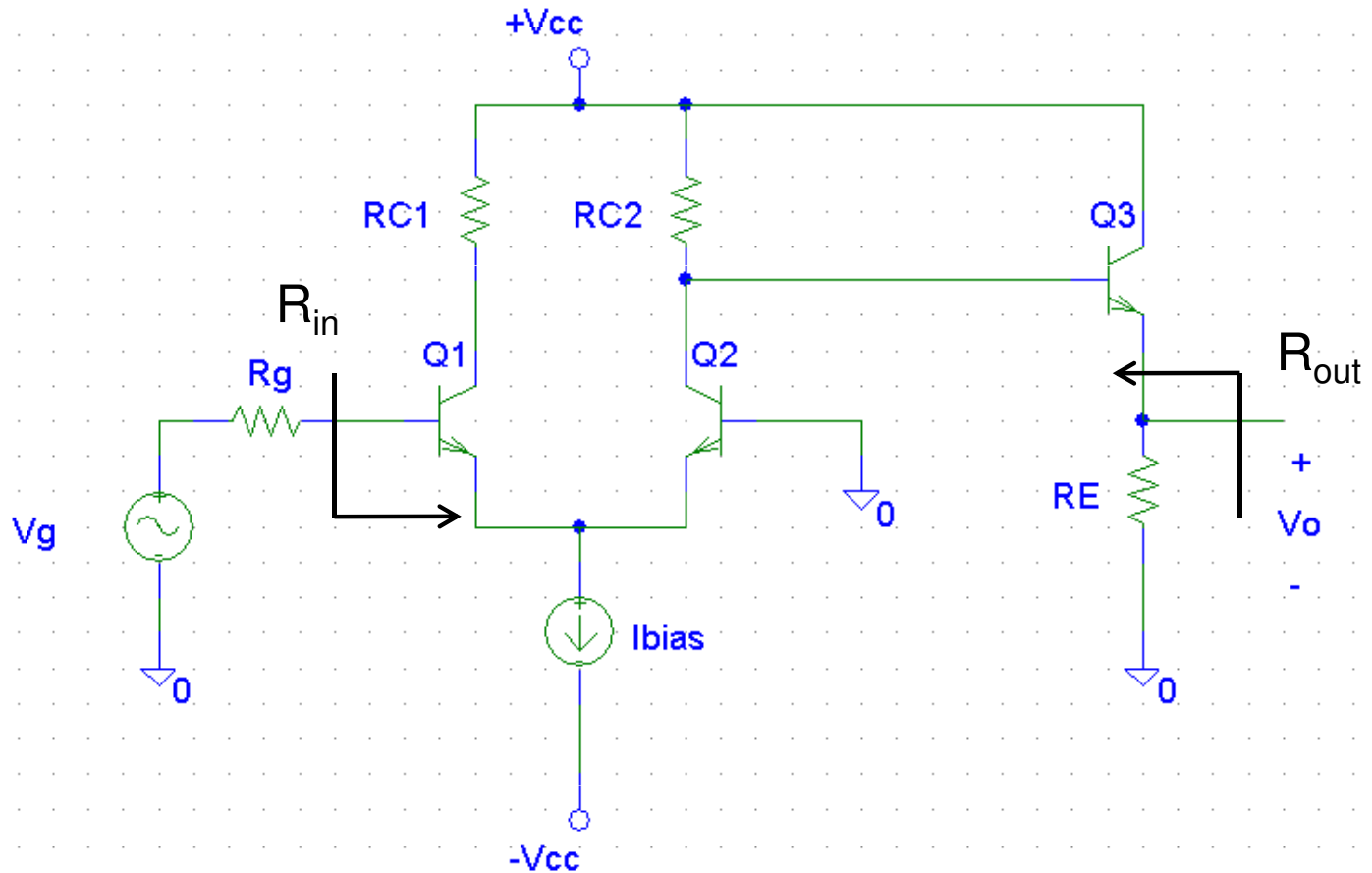
www.uc3m.es/portal/page/portal/dpto_tecnologia_electronica/Personal/PabloAcedo

Multistage Amplifiers

INDEX

- Numerical resolution of an example, including the obtaining of the midband gain of a multistage amplifier that includes a differential stage, the input impedance, the output impedance and the high cut-off frequency.

Proposed Exercise



$$V_{CC} = 15 \text{ V}$$

$$I_{bias} = 1 \text{ mA}$$

$$R_{C1} = R_{C2} = 10 \text{ k}\Omega$$

$$R_E = 560 \Omega$$

$$R_g = 50 \Omega$$

BJTs:

$$\beta_0 = \beta_F = 250, V_T = 25 \text{ mV}, V_{BE} = 0.6 \text{ V}, C_\pi = 2 \text{ pF}, C_\mu = 0.7 \text{ pF}$$