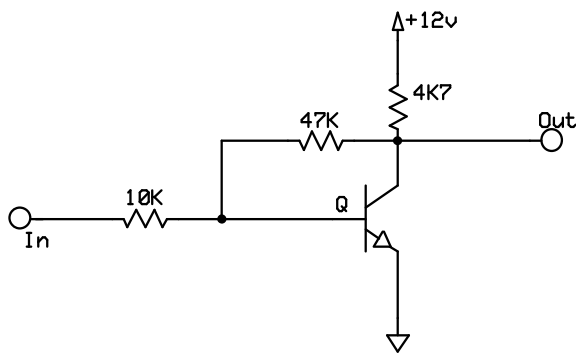


The following figure presents a feedback transimpedance amplifier.



On this schematic:

- 1) Identify the Basic Amplifier
- 2) Identify the Feedback Network.
- 3) Calculate the Two Port Equivalent Network parameters
- 4) Calculate the gain of the feedback amplifier including the loading effects of the feedback network