

Electrical Power Engineering Fundamentals

Departamento de Ingeniería Eléctrica. Universidad Carlos III de Madrid

Module 4. Three-phase AC Systems. Week 9

Exercise 1. The following circuit shows a balanced three-phase AC system. (A, B, C) is a direct sequence. Find the current I_C and the voltage $U_{B'C'}$.

$$U_{AB} = 400 \angle 0^\circ \text{ V}$$

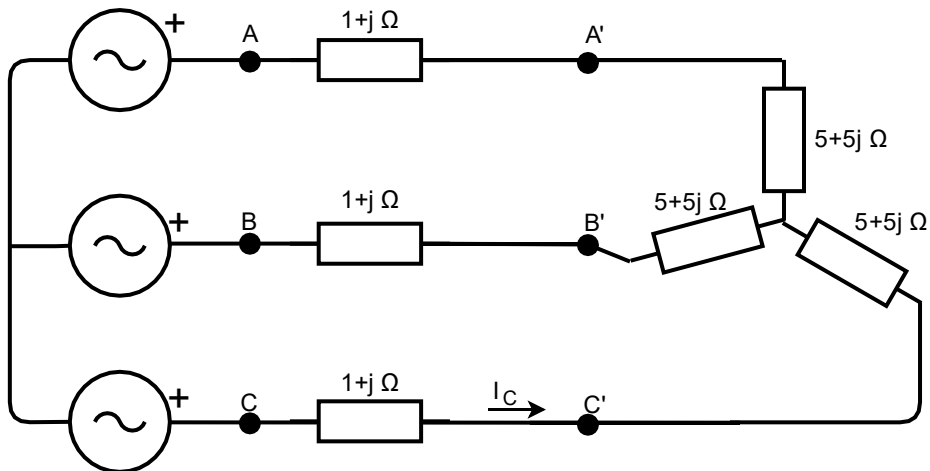


Figure 1. Three-phase AC system 1

Exercise 2. The following circuit shows a balanced three-phase AC system. (A, B, C) is a direct sequence. Find: a) the currents $I_{A''}$ and I_C ; b) the voltages $U_{A'B'}$ and $U_{C''N}$

$$U_{BC} = 400 \angle 30^\circ \text{ V}$$

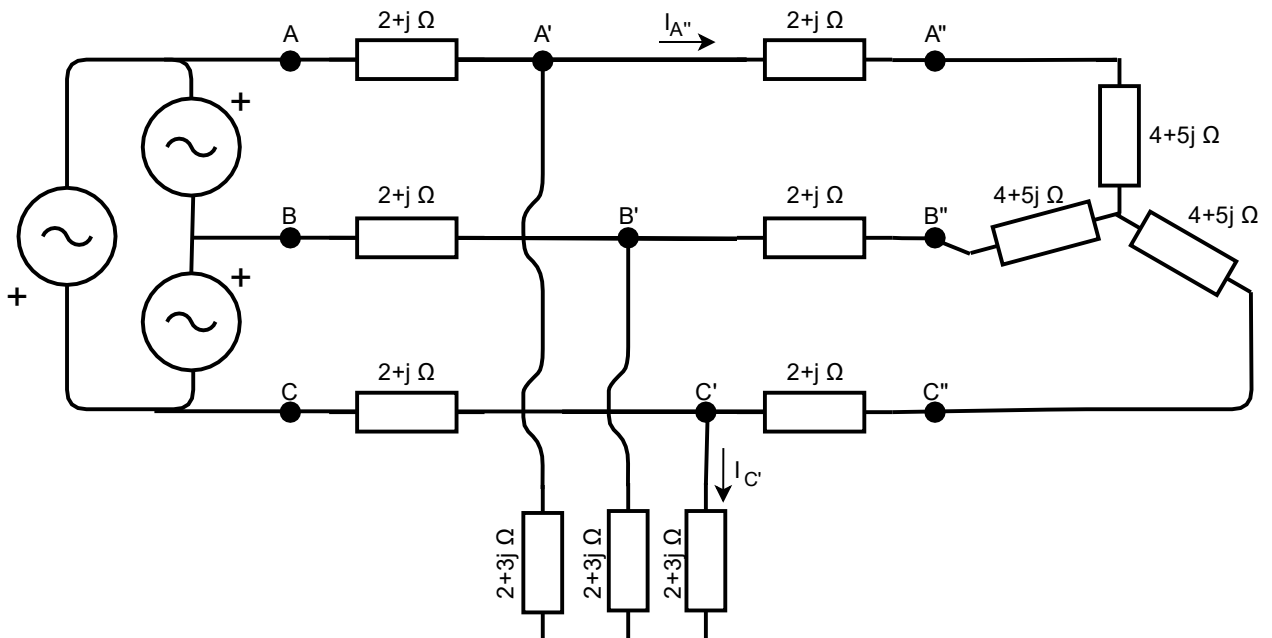


Figure 2. Three-phase AC system 2

Exercise 3. The following figure shows a balanced three-phase AC system. (A, B, C) is a direct sequence. Find the line voltage U_{BC} and the line current I_B , knowing that the voltage $U_{A'B'} = 220 \angle 0^\circ \text{ V}$.

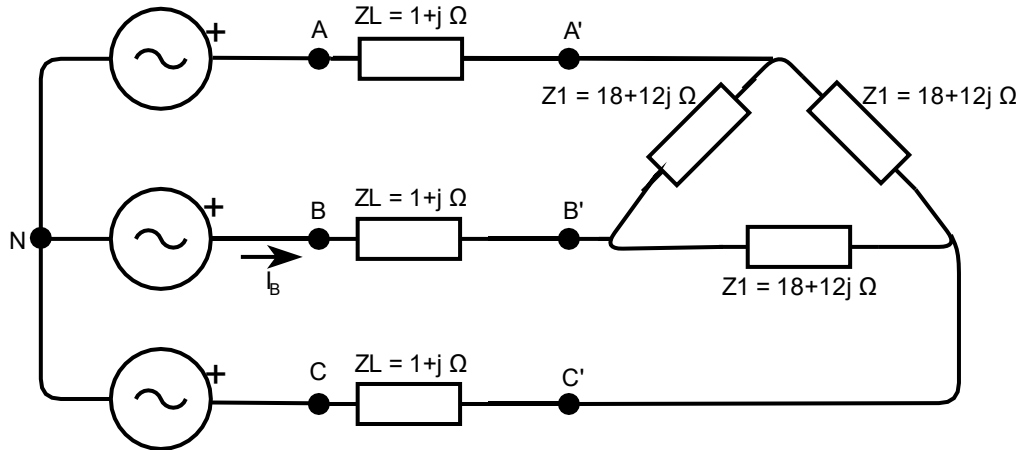


Figure 3. Three-phase AC system 3

Exercise 4. The following circuit shows a balanced three-phase AC system. (A, B, C) is a direct sequence. Find the voltage u_2 , knowing that the voltage $u_1 = 100 \angle 0^\circ \text{ V}$.

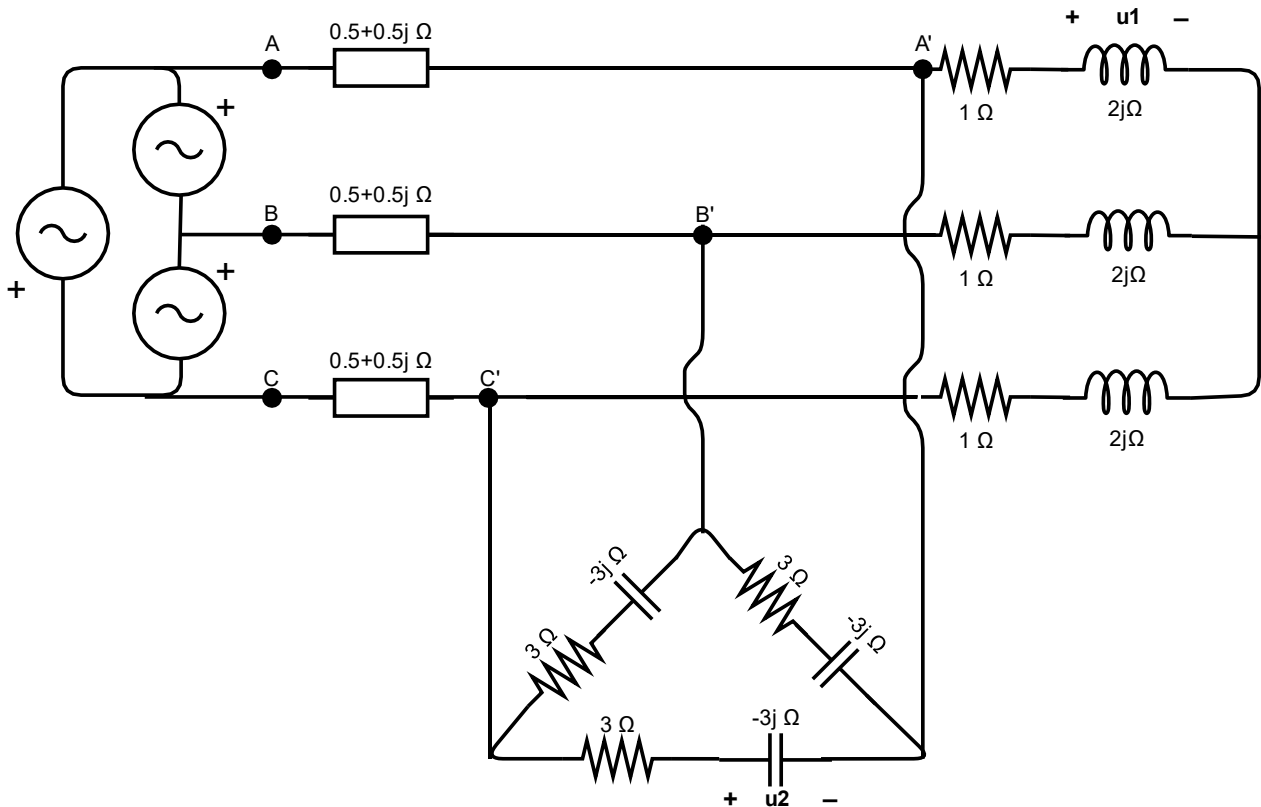


Figure 4. Three-phase AC system 4