

Electrical Power Engineering Fundamentals

Departamento de Ingeniería Eléctrica. Universidad Carlos III de Madrid

Module 2. Analysis of DC Circuits. Week 4

Exercise 1. Find the Thévenin and Norton equivalents between nodes A and B for the following circuit.

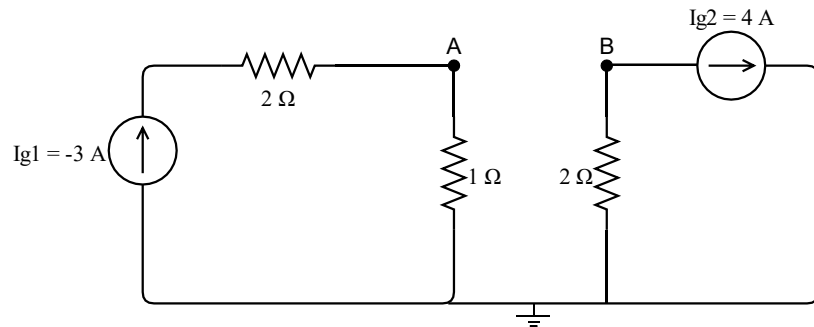


Figure 1 DC circuit 1

Solution: $U_{Th} = 5V$; $R_{TH} = 3\Omega$; $I_{Norton} = 1.67A$

Exercise 2. Find the Thévenin and Norton equivalents between nodes A and B for the following circuit.

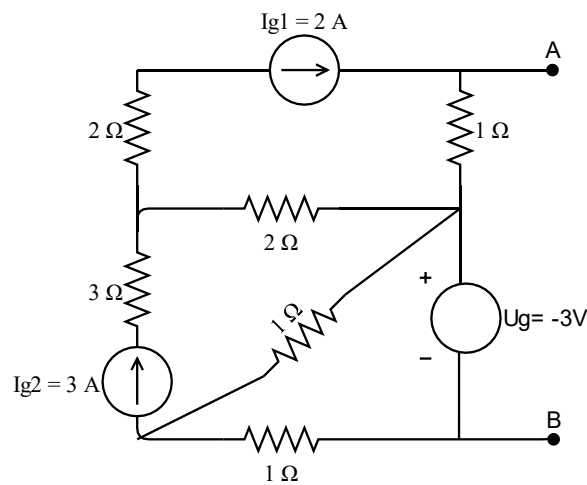


Figure 2 DC circuit 2

Solution: $U_{Th} = -1V$; $R_{TH} = 1\Omega$; $I_{Norton} = -1A$

